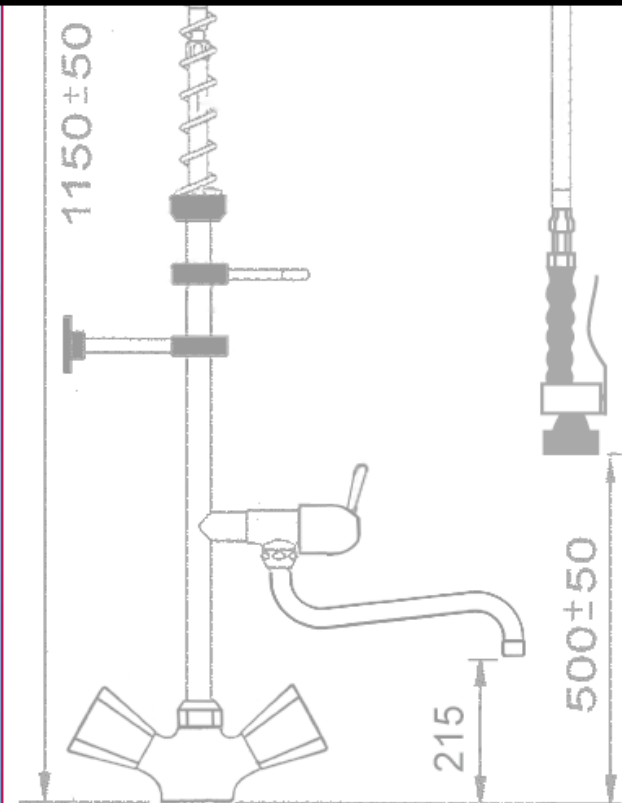


Water taps and pre-rinse units

GEV
Catering Spares Ltd
 307—309 Totemic House
 Springfield Business Park
 Caunt Road
 Grantham
 NG31 7FX UK
 Phone: +44 (0)1476 583922
 Fax: +44 (0)1476 514640
 info@gev-online.co.uk
 www.gev-online.co.uk

GEV
Großküchen-Ersatzteil-
Vertrieb GmbH
 Robert-Koch-Str. 3a
 82152 Planegg/Munich
 Germany
 Tel.: +49 (0)89 745572-0
 Fax: +49 (0)89 745572-83
 order@gev-online.com
 www.gev-online.com



Our full range of water taps and pre-rinse units is shown on pages 1451 — 1548 of the **GEV PRODUCT GROUPS** catalogue

CLASSIC Line

Robust build quality pre-rinse units and taps. Numerous designs to meet every requirement



A full range of taps for commercial catering equipment

PREMIUM Line

Premium models with high-quality features:

- Stainless steel spring
- Stainless steel strip-wound hose
- Metal wall and spray gun holders



AMERICAN Line

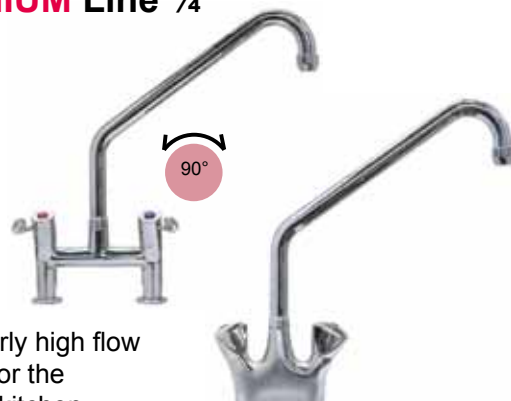
Premium models in typical American designs



GASTROTOP, a GEV brand, represents an extensive range of high-quality taps that fulfil all requirements in the catering industry. The range offers:

- Exceptional quality and product durability
- Available in all standard connection diameters and hole spacing
- Single and double mixer taps
- All tap shapes
- Grease chamber or ceramic top section
- Long-lever tap designs for elbow operation
- Knee or foot operated taps

PREMIUM Line 3/4"



Particularly high flow volume for the canteen kitchen

SINK TAPS



HOSE REELS

Wall or under-counter models

Hygienically protected by stainless steel housing

Suitable for food products and filling boiling kettles



SELF CLOSING TAPS

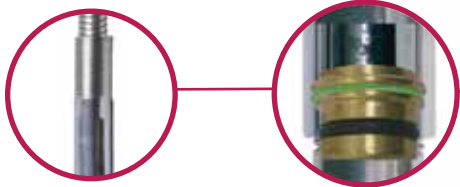


FOOT OPERATED PEDALS





Model featured
part no. 547203 PREMIUM Line
Pre-rinse unit with
back flow restrictor,
DVGW approved



stainless steel spring
for bend protection

100 % watertight due
to brass adapter and
flat gasket

stainless steel spring

robust stainless steel-
strip wound hose

adjustable metal spring holder

adjustable metal hand spray holder

adjustable metal wall holder
120mm

high quality
spray gun

swivel spout with ceramic head

permanently sealed by double
o-ring gasket

watertight due to
double o-ring-gasket

optional standard heads or
ceramic heads

